

FLY21-RWY-END-LI-RO-230

Low intensity runway edge light



APPLICATION

Omnidirectional low intensity runway end lights, ICAO and FAA compliant.

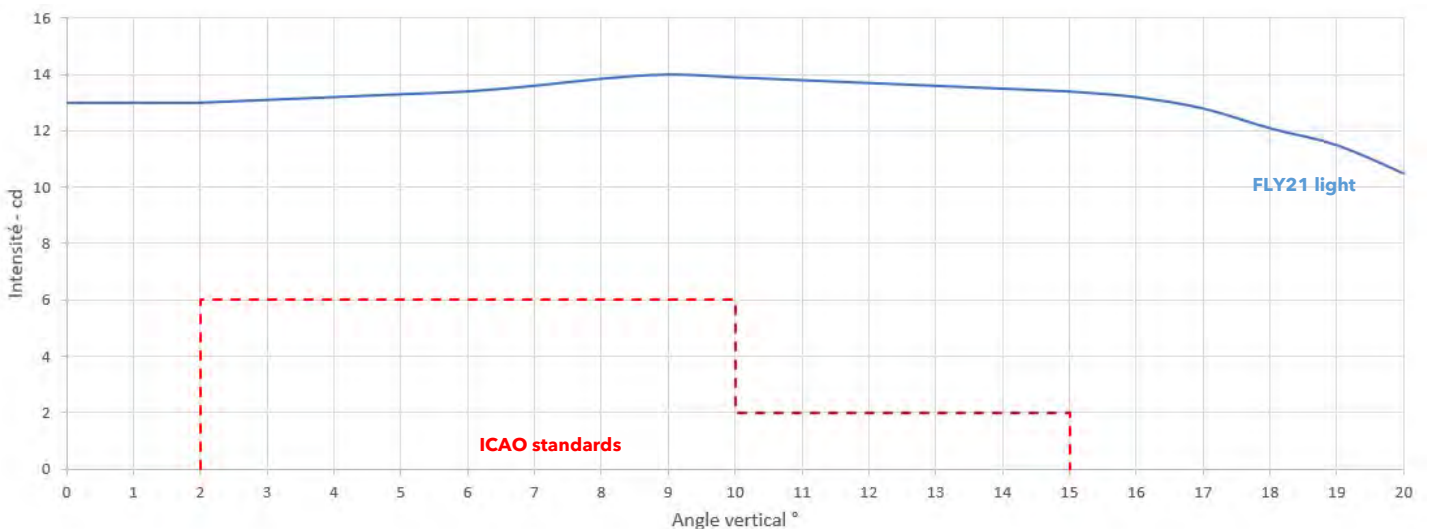
The FLY21-RWY-EDG-LI-RO-230 is a 6.5W LED light, and is powered by a 230Vac current.

The optical glass is made of a clear tinted Fresnel prism screwed in the mounting and a LED lamp.

MAIN CHARACTERISTICS

- Simple and rugged design
- Lamp replacement made easier by just unscrewing the prismatic globe
- LED lamps lifespan > 15 000h
- Jet blast resistance compliant with ICAO requirements (483 km/h)

PHOTOMETRY



ORDER CODE

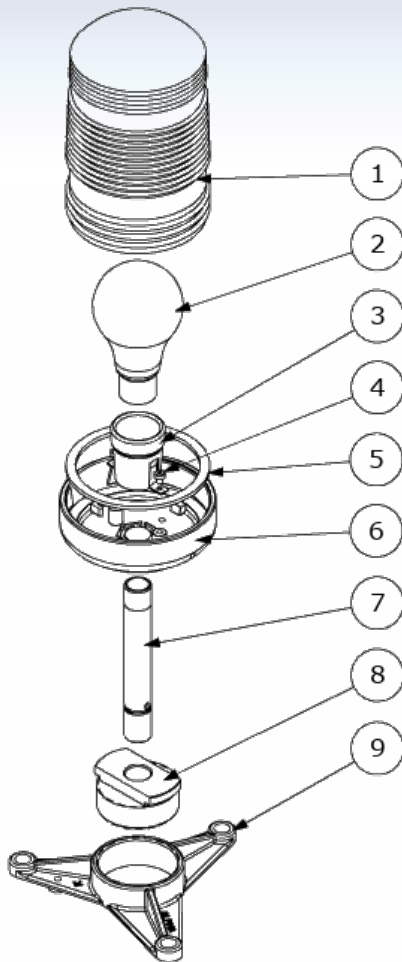
FLY21-RWY-END-LI-RO-230

No specific option for this product.

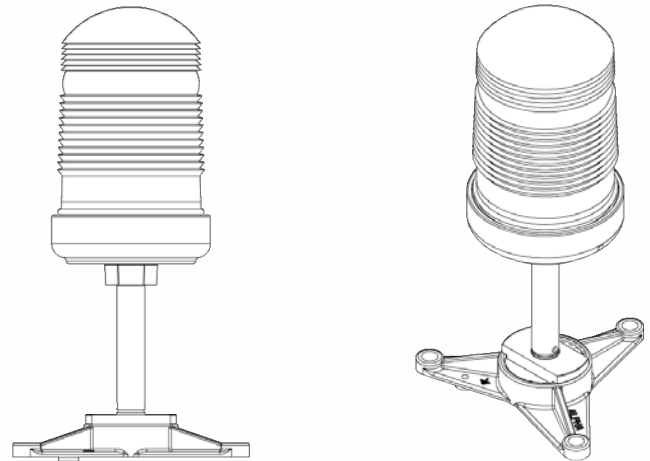
For the PK30d halogen version, please refer to FLY21-RWY-END-LI-RO-66PK.

For the 6.6A LED version, please refer to FLY21-RWY-END-LI-RO-66.

OVERVIEW



1. Optical glass with Fresnel prism
2. 230Vac lamp
3. E27 cap
4. Fixing screws for E27 base
5. Gasket
6. Mounting - polyethylene
7. Frangible holding tube - aluminium 6060
8. Interface 60mm - aluminium 6060
9. Tripod with compatible screw thread 2" NPS et 2" BSP



TECHNICAL SPECIFICATIONS

OPTIC

- Red Fresnel prismatic globe
- 180° omnidirectional beam
- 230Vac lamp, lifespan > 15 000 h

CONFORMITY

- Photometric and colorimetric compliance
According to OACI Annex 14 Volume 1 July 2018
- STAC certification pending
- Jet blast resistance in accordance with
ICAO requirements (483 km/h)
- CE compliant
- ISO 9001 and ISO 14001 design and manufacturing

ENVIRONMENT

- Operating temperature : from -20°C up to +60°C

ELECTRICAL CHARACTERISTICS

- Electrical consumption 6.5W
- E27 cap
- Bi conductor cable alimentation 2x1.5mm² ou 2x2.5mm²

PHYSICAL CHARACTERISTICS

- Yellow polyethylene mounting UV resistant
- Frangible holding tube - aluminium 6060
- Tripod fixation
See doc FIX for more information
- Dimensions : mounting diam 115mm, beacon height 340mm
- Weight: 1,5 kg