

# FLY21-RWY-END-LI-RO-66PK

Low intensity runway edge light



## APPLICATION

Omnidirectional low intensity runway end lights, ICAO and FAA compliant.

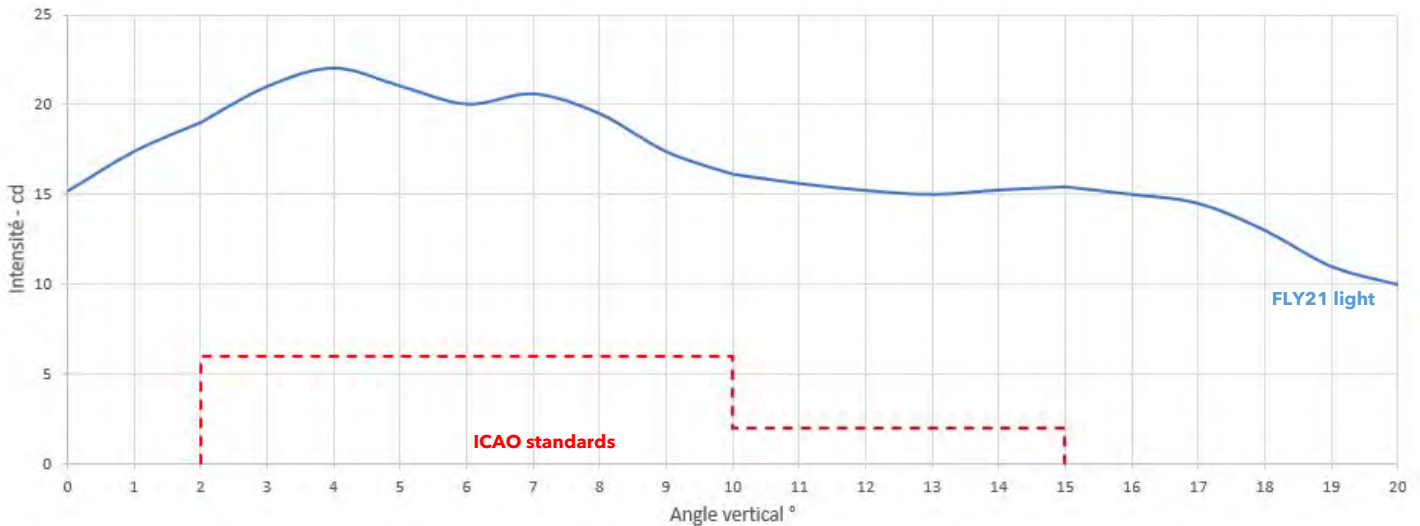
The FLY21-RWY-EDG-LI-RO-66PK is a 45W halogen light, and is powered by a 6.6A current.

The optical glass is made of a clear tinted Fresnel prism screwed in the mounting and a PK30d lamp.

## MAIN CHARACTERISTICS

- Simple and rugged design
- Lamp replacement made easier by just unscrewing the prismatic globe
- PK30d lamps lifespan > 1500h
- Jet blast resistance compliant with ICAO requirements (483 km/h)

## PHOTOMETRY



## ORDER CODE

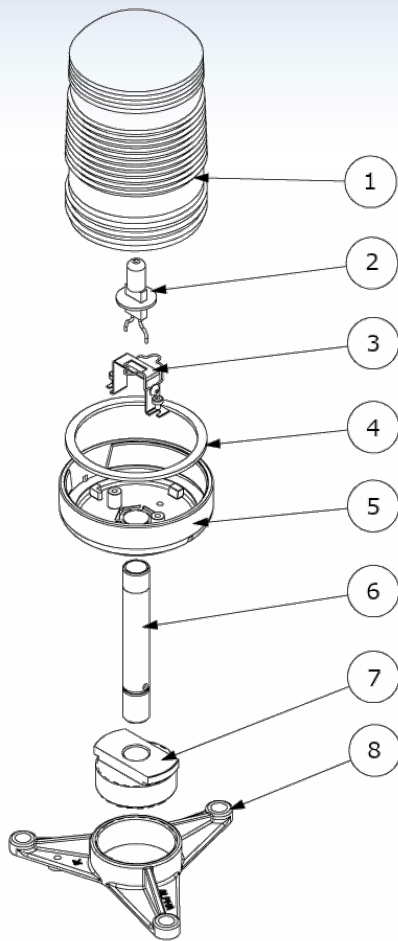
### FLY21-RWY-END-LI-RO-66PK

No specific option for this product.

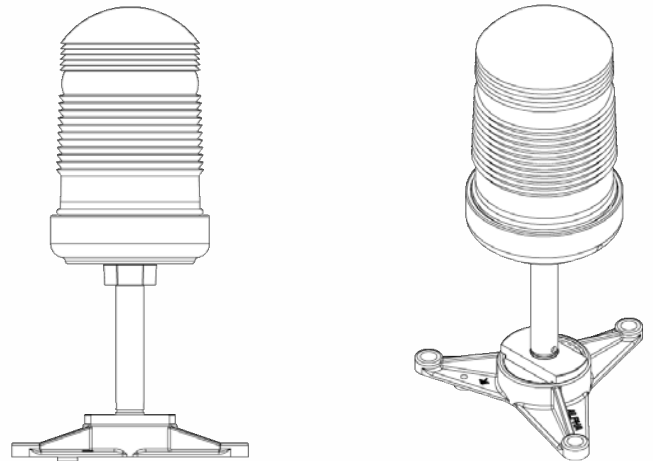
For the 6.6A LED version, please refer to FLY21-RWY-END-LI-RO-66.

For the 230Vac LED version, please refer to FLY21-RWY-END-LI-RO-230.

## OVERVIEW



1. Optical glass with Fresnel prism
2. PK30d lamp
3. Mounting for PK30d type lamp
3. Gasket
4. Mounting - polyethylene
5. Frangible holding tube - aluminium 6060
6. Interface 60mm - aluminium 6060
7. Tripod with compatible screw thread 2" NPS et 2" BSP



## TECHNICAL SPECIFICATIONS

### OPTIC

- Red Fresnel prismatic globe
- 180° omnidirectional beam
- PK30d lamp, lifespan > 1500 h

### CONFORMITY

- Photometric and colorimetric compliance  
According to OACI Annex 14 Volume 1 July 2018
- STAC certification pending
- Jet blast resistance in accordance with  
ICAO requirements (483 km/h)
- CE compliant
- ISO 9001 and ISO 14001 design and manufacturing

### ENVIRONMENT

- Operating temperature : from -20°C up to +60°C

### ELECTRICAL CHARACTERISTICS

- Electrical 45W
- PK30d cap
- Connect to molded plug FAA ref. L823
- Bi conductor cable alimentation 2x1.5mm<sup>2</sup> ou 2x2.5mm<sup>2</sup>

### PHYSICAL CHARACTERISTICS

- Yellow polyethylene mounting UV resistant
- Frangible holding tube - aluminium 6060
- Tripod fixation  
See doc FIX for more information
- Dimensions : mounting diam 115mm, beacon height 340mm
- Weight: 1,5 kg