

# FLY21-RWY-THEND-LI-GR-66

Low intensity runway threshold end light



## APPLICATION

Omnidirectional low intensity runway threshold end lights, ICAO and FAA compliant.

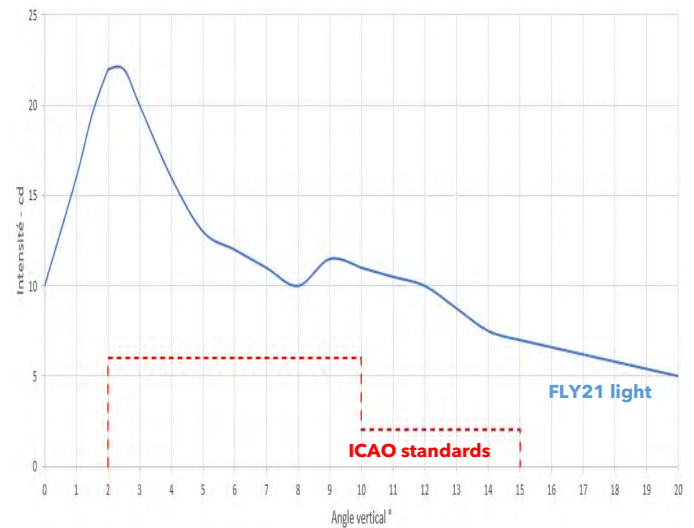
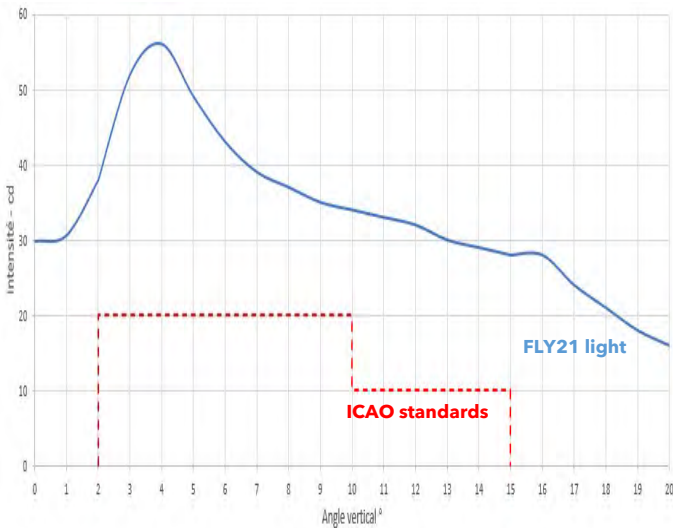
The FLY21-RWY-THEND-GR-66 is a 3.2W LED light, and is powered by a 6.6A current.

The optical glass is made of a green/red tainted Fresnel prism screwed in the mounting and a LED lamp.

## MAIN CHARACTERISTICS

- Simple and rugged design
- Lamp replacement made easier by just unscrewing the prismatic globe
- LED lamps lifespan > 100 000h
- Resin-coated electronics
- Jet blast resistance compliant with ICAO requirements (483 km/h)

## PHOTOMETRY



## ORDER CODE

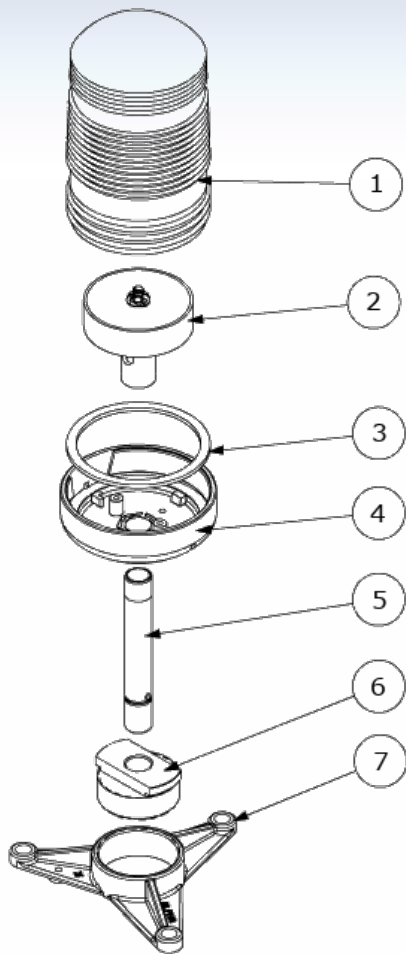
### FLY21-RWY-THEND-LI-GR-66

No specific option for this product.

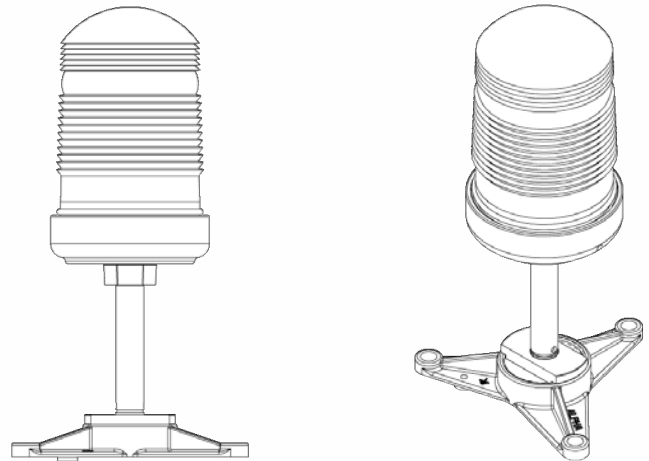
For the PK30d halogen version, please refer to FLY21-RWY-THEND-LI-GR-66PK.

For the 230Vac LED version, please refer to FLY21-RWY-THEND-LI-GR-230.

## OVERVIEW



1. Optical glass with Fresnel prism
2. Resin-coated electronics
3. Gasket
4. Mounting - polyethylene
5. Frangible holding tube - aluminium 6060
6. Interface 60mm - aluminium 6060
7. Tripod with compatible screw thread 2" NPS et 2" BSP



## TECHNICAL SPECIFICATIONS

### OPTIC

- Green/red Fresnel prismatic globe
- 360° omnidirectional beam
- 2W LED lamp, lifespan > 100 000 h

### CONFORMITY

- Photometric and colorimetric compliance  
According to OACI Annex 14 Volume 1 July 2018
- STAC certification pending
- Jet blast resistance in accordance with  
ICAO requirements (483 km/h)
- CE compliant
- ISO 9001 and ISO 14001 design and manufacturing

### ENVIRONMENT

- Operating temperature : from -40°C up to +60°C

### ELECTRICAL CHARACTERISTICS

- Electrical consumption 3.2W
- LED consumption 0.9W
- Connect to molded plug FAA ref. L823
- Bi conductor cable alimentation 2x1.5mm<sup>2</sup> ou 2x2.5mm<sup>2</sup>

### PHYSICAL CHARACTERISTICS

- Yellow polyethylene mounting UV resistant
- Frangible holding tube - aluminium 6060
- Tripod fixation  
See doc FIX for more information
- Dimensions : mounting diam 115mm, beacon height 340mm
- Weight: 1,8 kg