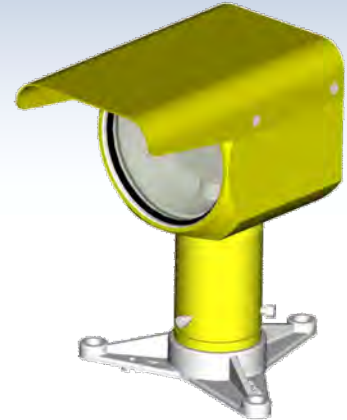


SURICAT-HEL-PRJ-N-C-230



APPLICATION

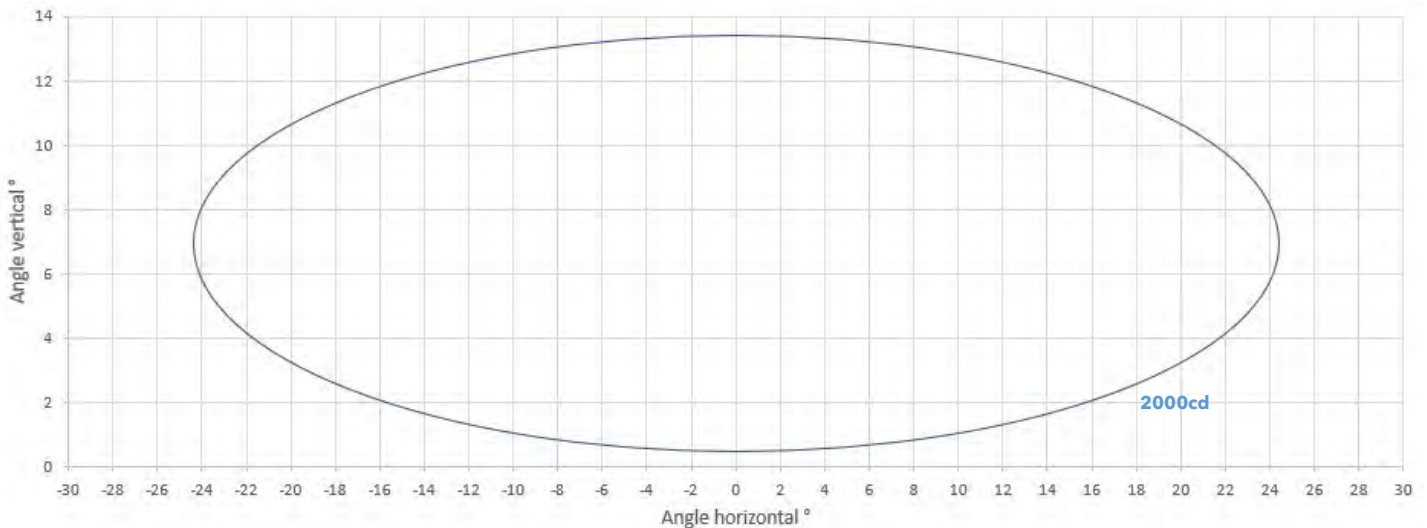
The SURICAT-HEL-PRJ-N-C-230 floodlight has a 35W LED lighting, it is powered by 230Vac.

The optical system consists of 12 LEDs and an optical lens allowing a grazing lighting of the platform. The cap and the system of adjustment of the orientation of the head make it possible to adjust at best the projector in order not to dazzle the pilot.

MAIN CHARACTERISTICS

- Sturdy, reliable, conceived to reduce and simplify maintenance
- Index of protection IP66
- LED lamps lifespan > 50 000h

PHOTOMETRY

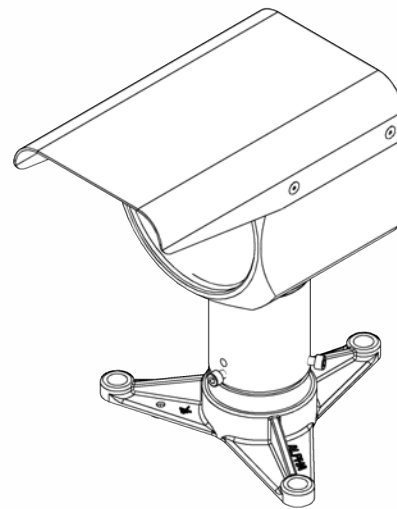
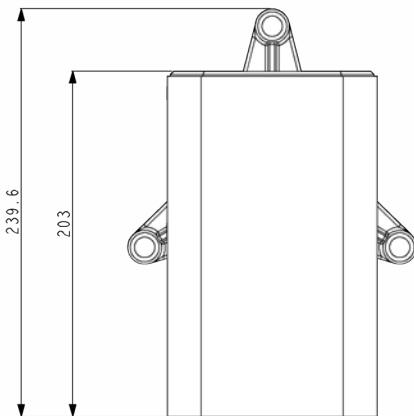
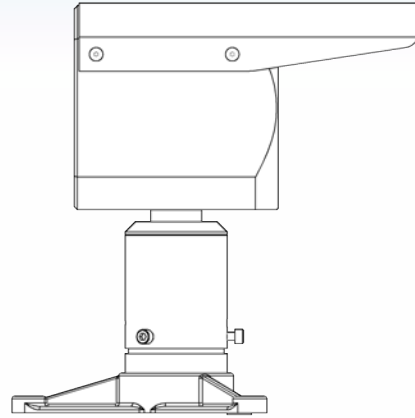
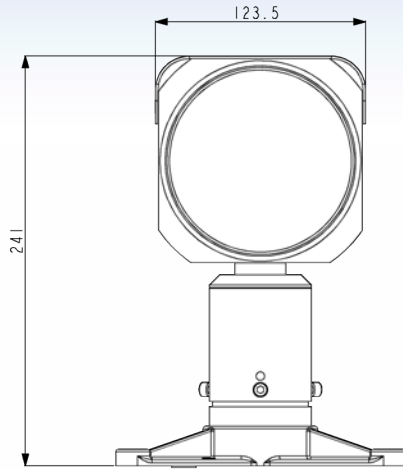


ORDER CODE

SURICAT-HEL-PRJ-N-C-230

No specific option for this product

OVERVIEW



TECHNICAL SPECIFICATION

OPTIC

- Tempered glass thickness 4mm
- 12 white LEDs lifespan > 50 000 h
- Horizontal distribution optical lens

COMPLIANCE

- CE compliant
- ISO 9001 and ISO 14001 design and manufacturing

ENVIRONMENT

- Operating temperature : -20°C to +50°C
- Index of proection IP66

ELECTRICAL CHARACTERISTICS

- Electrical consumption 35W
- Cable alimentation 3x1,5mm² or 3x2,5mm²

PHYSICAL CHARACTERISTICS

- Yellow painted aluminium 6060 body
- Orientable headlight
- Tripod fixation, compatible threading 2" NPS and 2" BSP
See doc FIX for more information
- Frangible ring
- Dimensions: see schema above
- Weight: 3,5kg